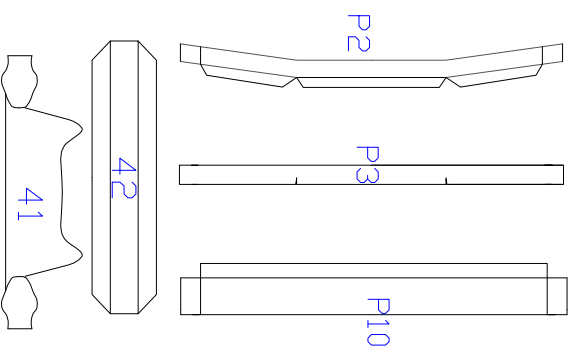


Sheet 3



Sheet 4

